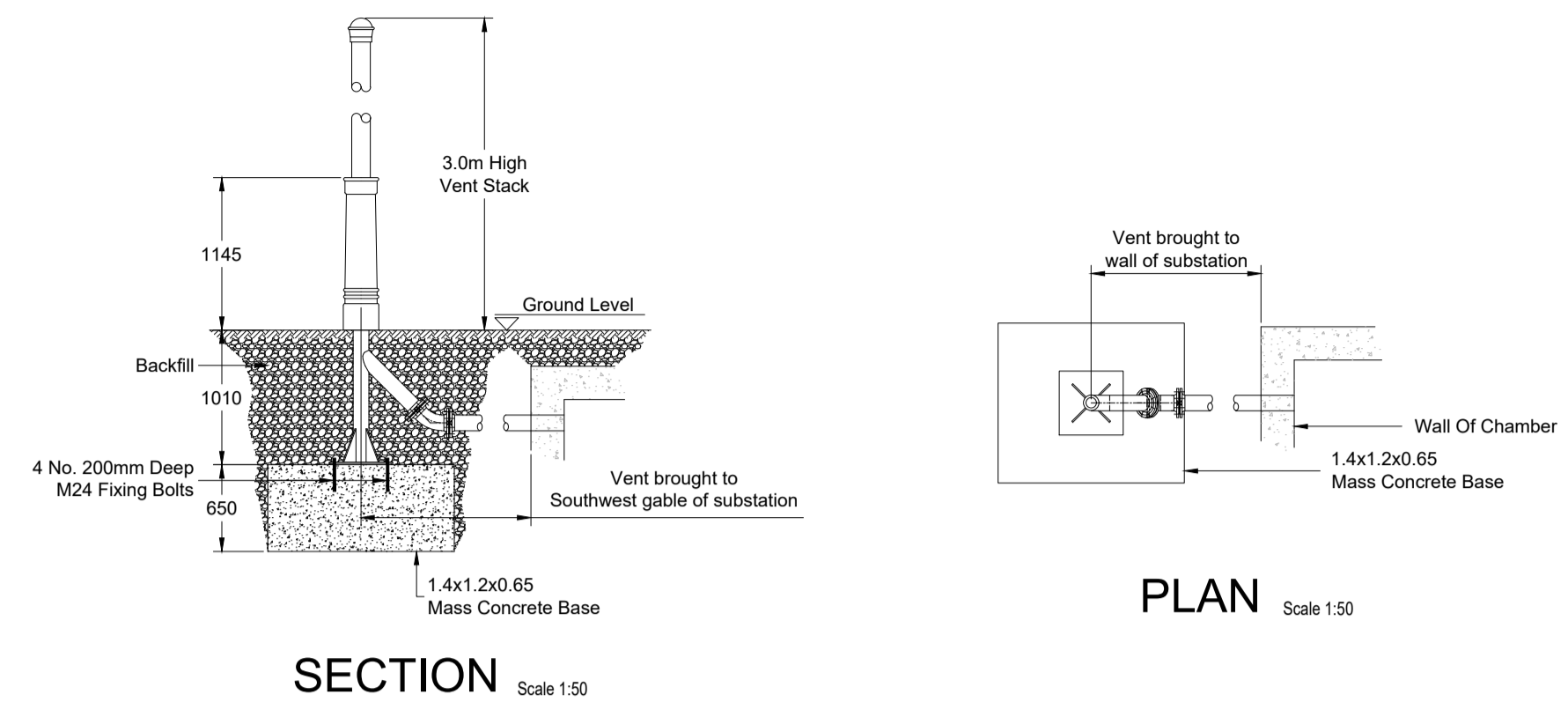


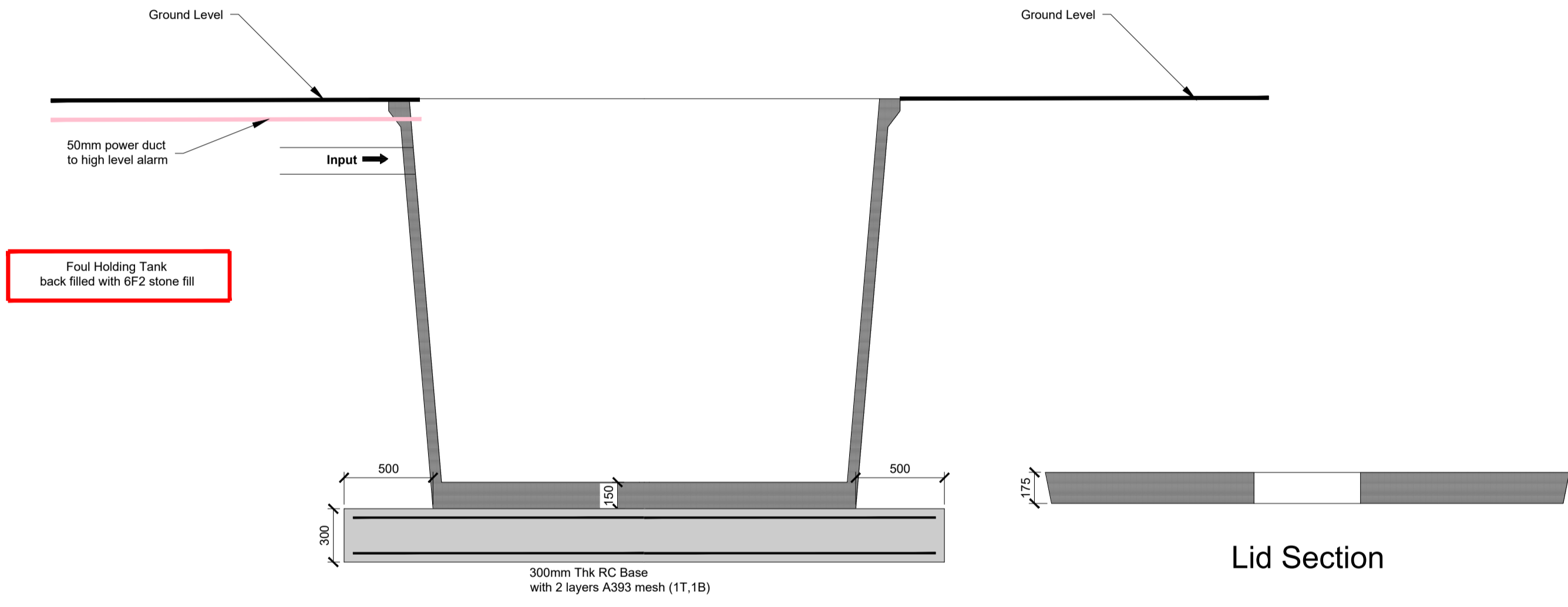
Typical Details And Sizings, Final  
 Manufacturer, Sizings And Requirements  
 Subject To Detailed Design!



SECTION Scale 1:50

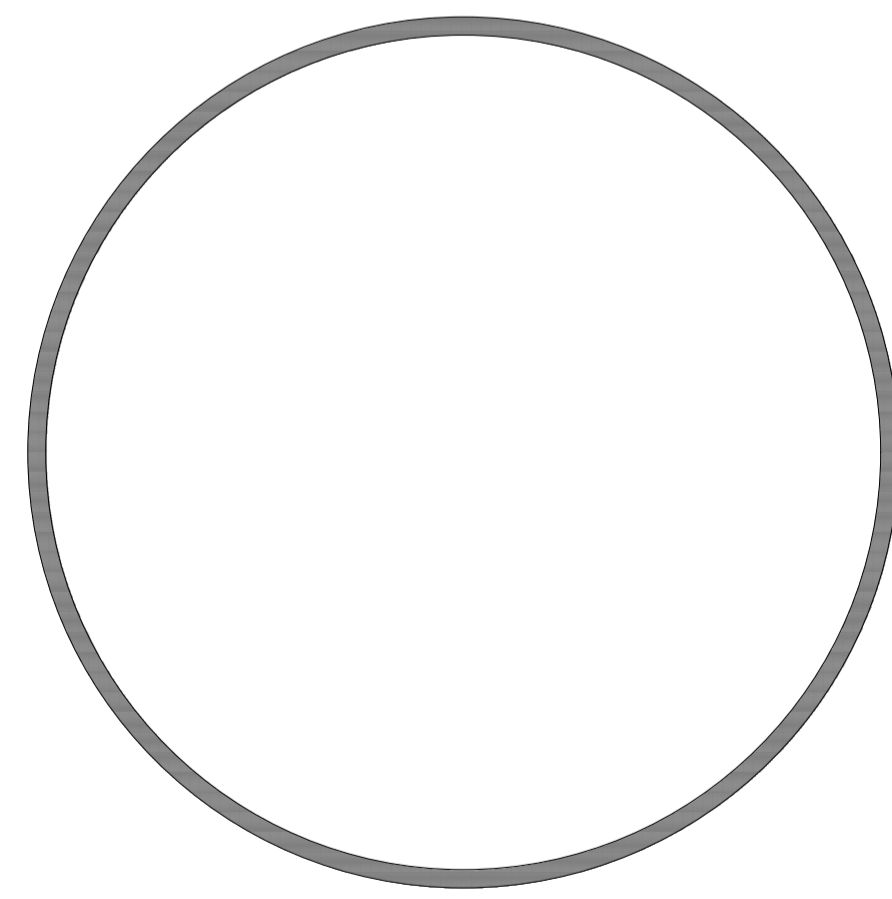
PLAN Scale 1:50

VENT STACK DETAIL

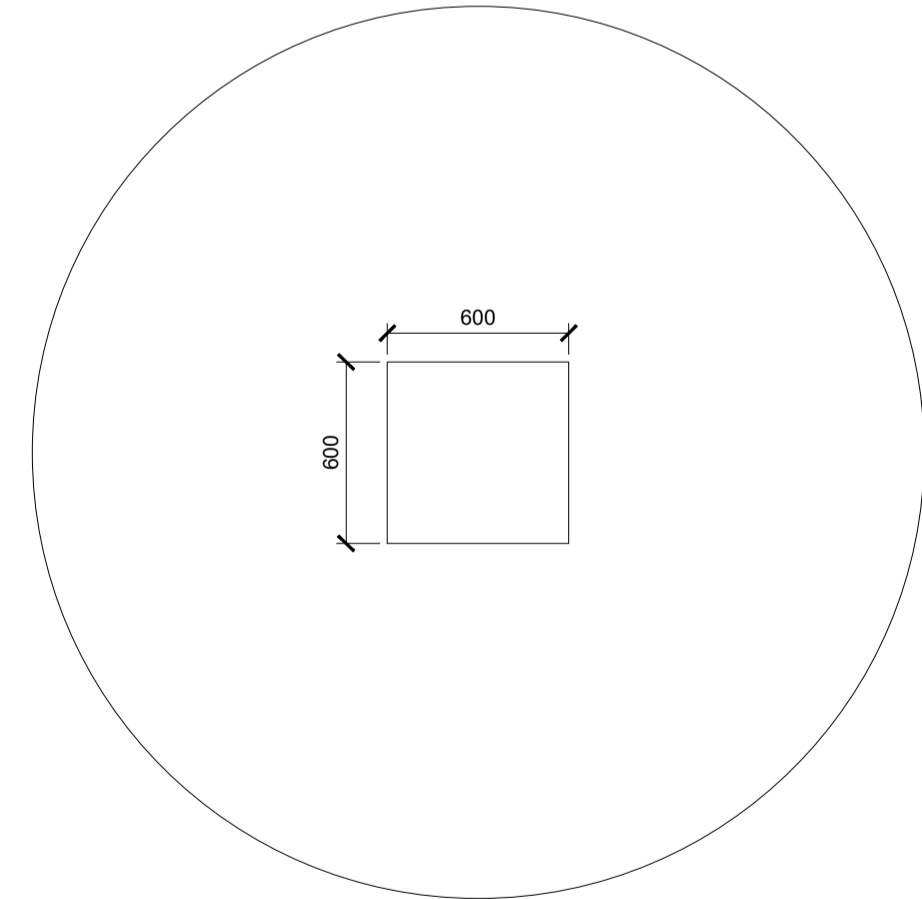


Tank Vertical Section

Lid Section

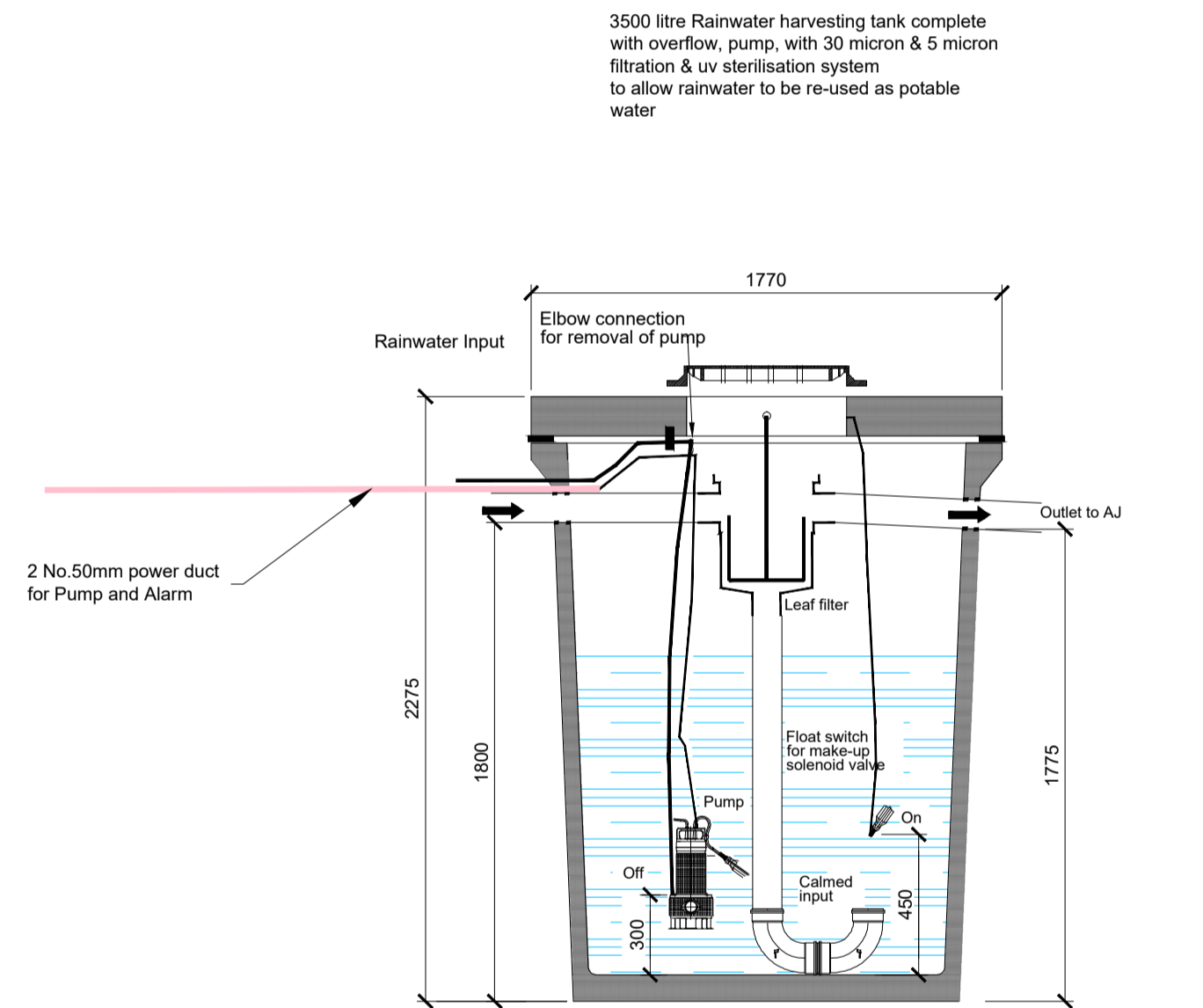


Tank Top Plan

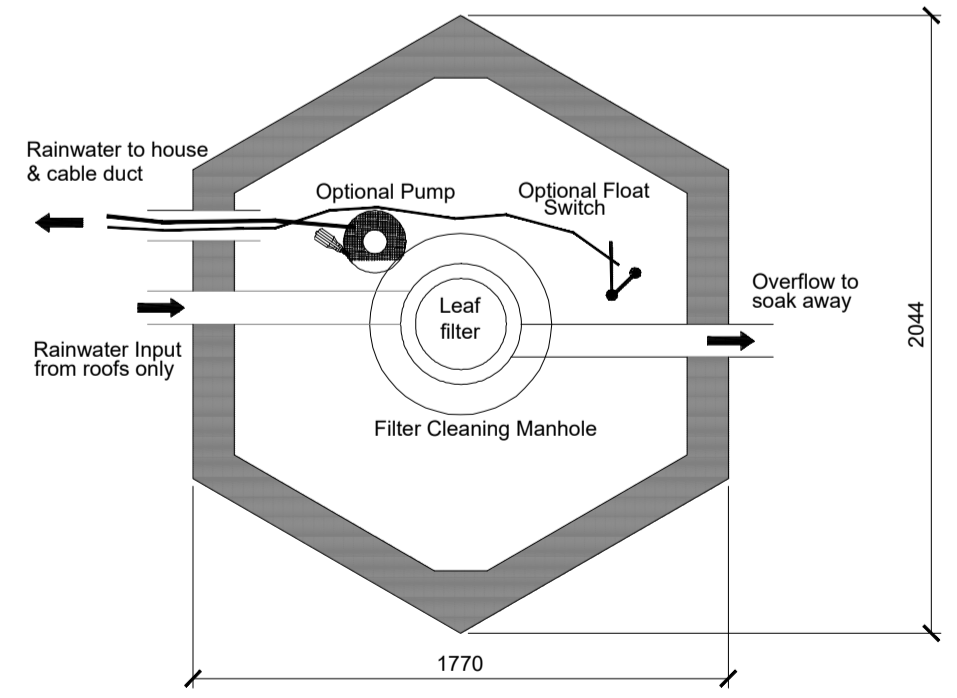


Lid Top Plan

FOUL SEWER HOLDING TANK  
 (Volume 5m<sup>3</sup>)  
 Scale 1:25



Rainwater Harvesting -  
 H+ Tank (3,500 Litres)  
 Scale 1:25



DO NOT SCALE FROM THIS DRAWING. USE FIGURED DIMENSIONS IN ALL CASES. VERIFY DIMENSIONS ON SITE AND REPORT ANY DISCREPANCIES TO THE DESIGNERS IMMEDIATELY.  
 THIS DRAWING TO BE READ IN CONJUNCTION WITH THE DESIGNERS SPECIFICATION  
 © THIS DRAWING IS COPYRIGHT AND MAY ONLY BE REPRODUCED WITH THE DESIGNERS PERMISSION.

NOTES:

1. ALL DRAWINGS ARE TO BE READ IN CONJUNCTION WITH ALL RELEVANT SPECIFICATIONS, BILLS OF QUANTITIES, ARCHITECTURAL, SERVICES AND ENGINEERING DRAWINGS.
2. ALL LEVELS ARE IN METRES RELATED TO ORDNANCE DATUM MALIN HEAD.
3. ANY DISCREPANCIES BETWEEN THESE DOCUMENTS SHALL BE BROUGHT TO THE ATTENTION OF THE ENGINEER.
4. DRAWINGS ARE NOT TO BE SCALED.
5. ALL DIMENSIONS ARE IN MILLIMETRES, UNLESS NOTED OTHERWISE.
6. THE FINALISED LAYOUT MAY BE SUBJECT TO MICRO-SITING DUE TO UNFORESEEN GROUND CONDITIONS. THE EXTENT OF FLEXIBILITY WILL BE SITE SPECIFIC AND SHOULD GENERALLY NOT EXCEED BEYOND 20 METRES.

REFERENCE DRAWINGS:

| DRAWING No.               | Description                         |
|---------------------------|-------------------------------------|
| 19876-MWP-00-00-DR-C-5005 | Proposed Site Layout - Master Sheet |
| 19876-MWP-00-00-DR-C-5409 | Proposed Substation Compound Layout |

|     |            |                     |    |     |
|-----|------------|---------------------|----|-----|
| P01 | 14/01/2021 | Issued For Planning | JK | KF  |
| REV | DATE       | DESCRIPTION         | BY | APP |

PROJECT: Shronowen Wind Farm

TITLE: Substation Compound  
 Foul Holding Tank & Rainwater Harvesting Tank Details

CLIENT: Shronowen Wind Farm Limited

**Malachy Walsh and Partners**  
 Engineering and Environmental Consultants  
 Cork | Tralee | London | Limerick

Reen Point, Blennerville, Tralee, Co. Kerry, V92 X2TK  
 Tel: +353 (0) 66 7123404  
 Fax: +353 (0) 66 7126586  
 E-mail: tralee@mwp.ie  
 Web: www.mwp.ie

|                       |                      |              |
|-----------------------|----------------------|--------------|
| DRAWN: JK             | CHECKED: PC          | APPROVED: PC |
| DATE: September 2020  | SCALE @ A1: As Shown |              |
| PROJECT NUMBER: 19876 | DRAWING STATUS: S2   |              |

DRAWING NUMBER: 19876-MWP-00-00-DR-C-5414 REV: P01